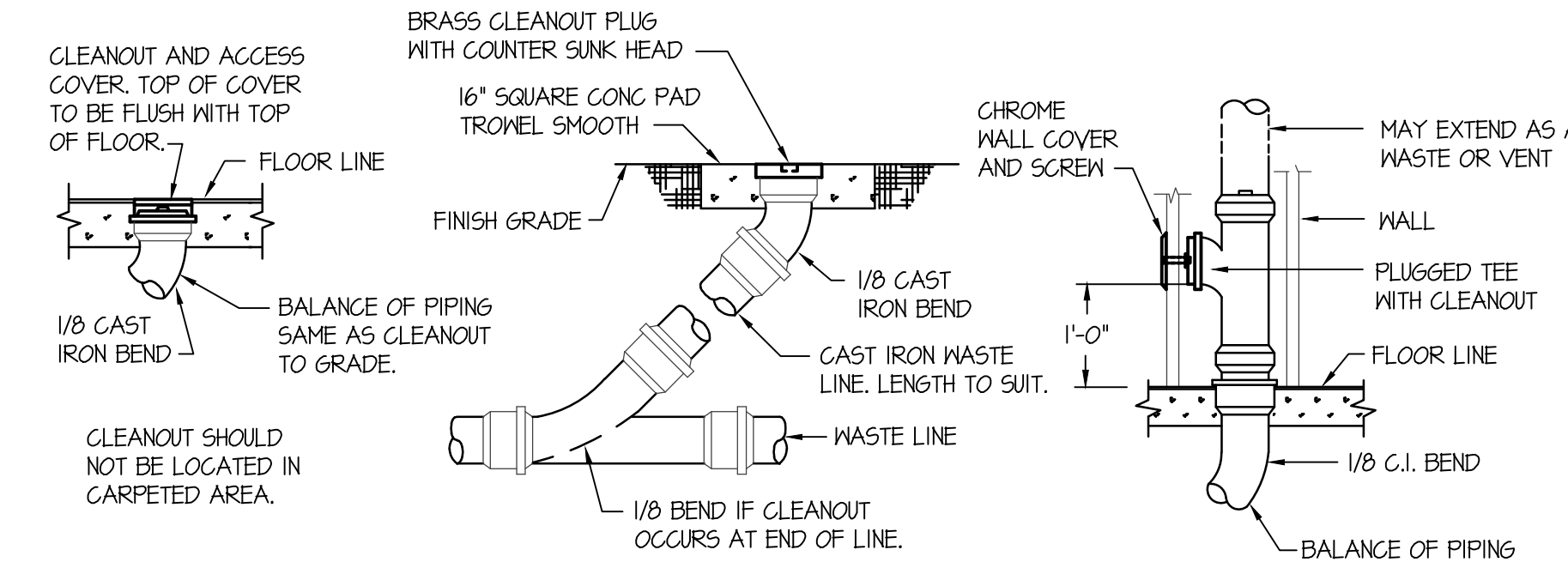
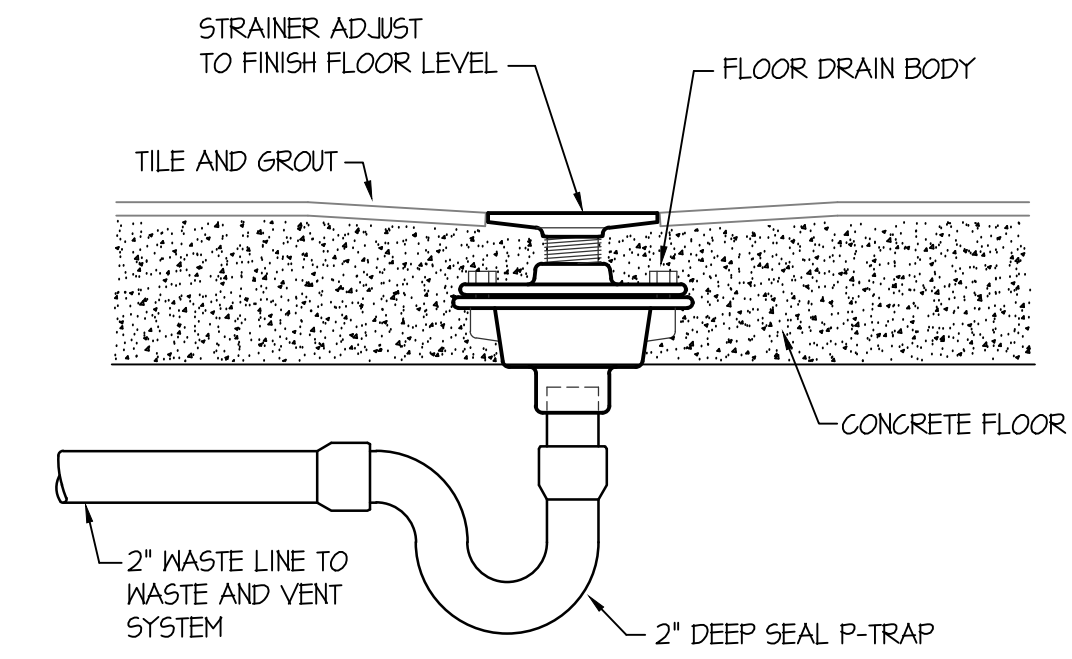


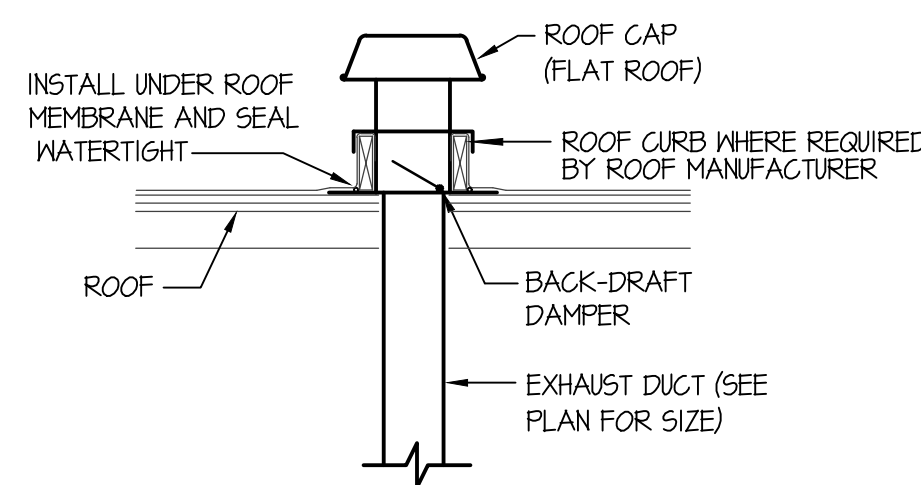
VERTICAL WATER PRESSURE REDUCING STATION
NO SCALE



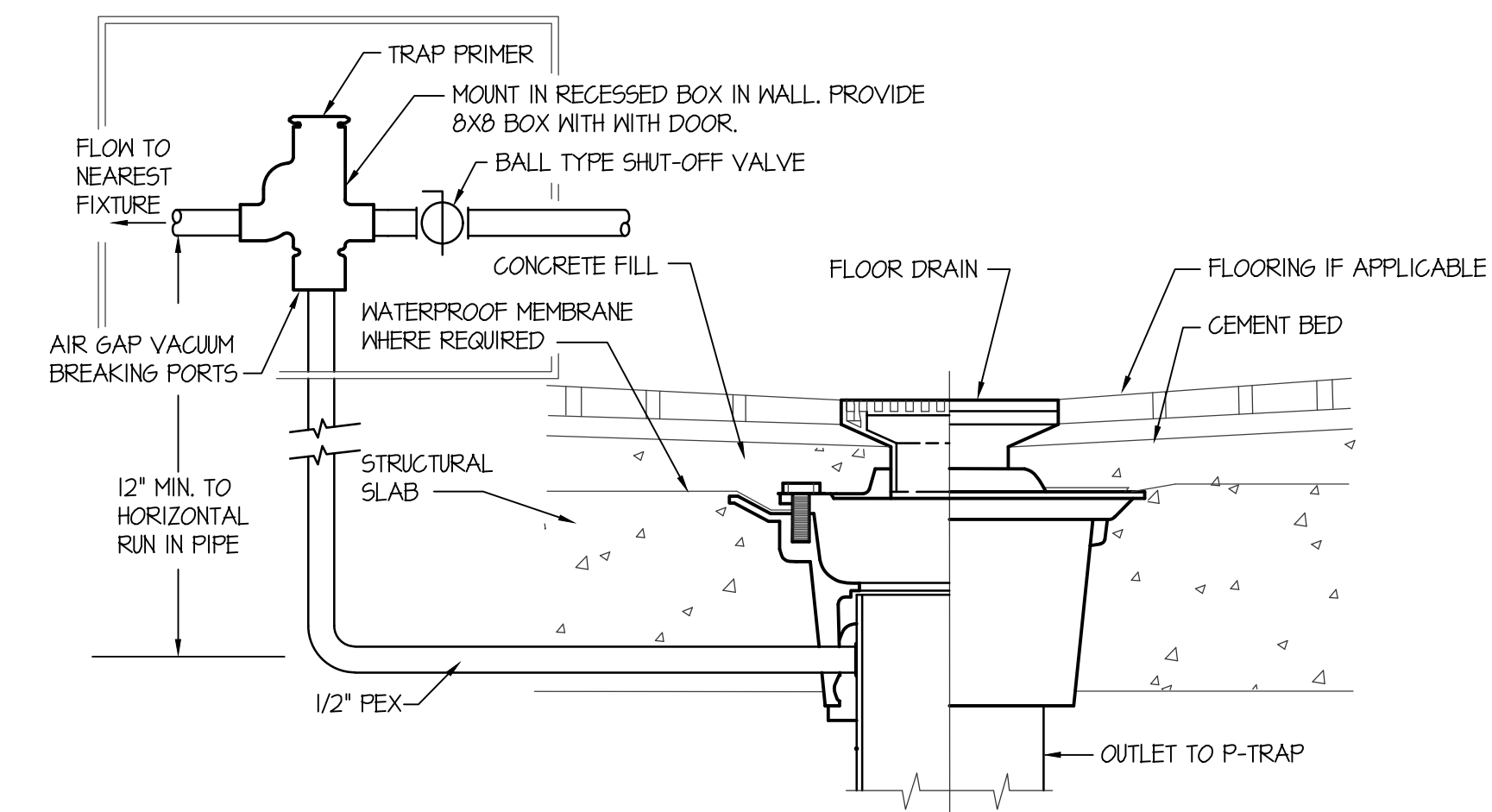
FLOOR CLEANOUT (FCO) CLEANOUT TO GRADE (COTG) WALL CLEANOUT (WCO)
CLEAN OUT DETAILS
NO SCALE



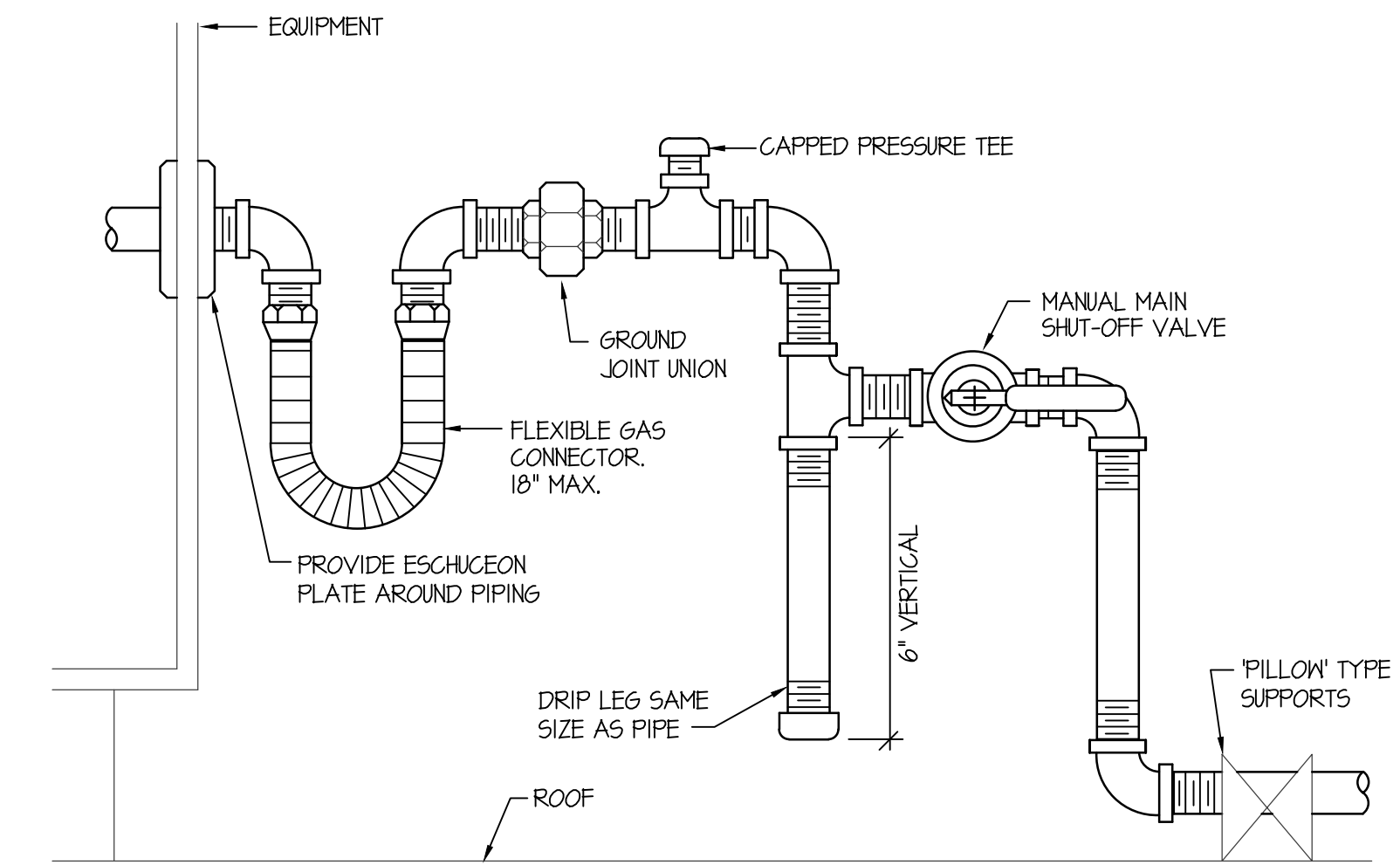
FLOOR DRAIN IN CONCRETE FLOOR
NO SCALE



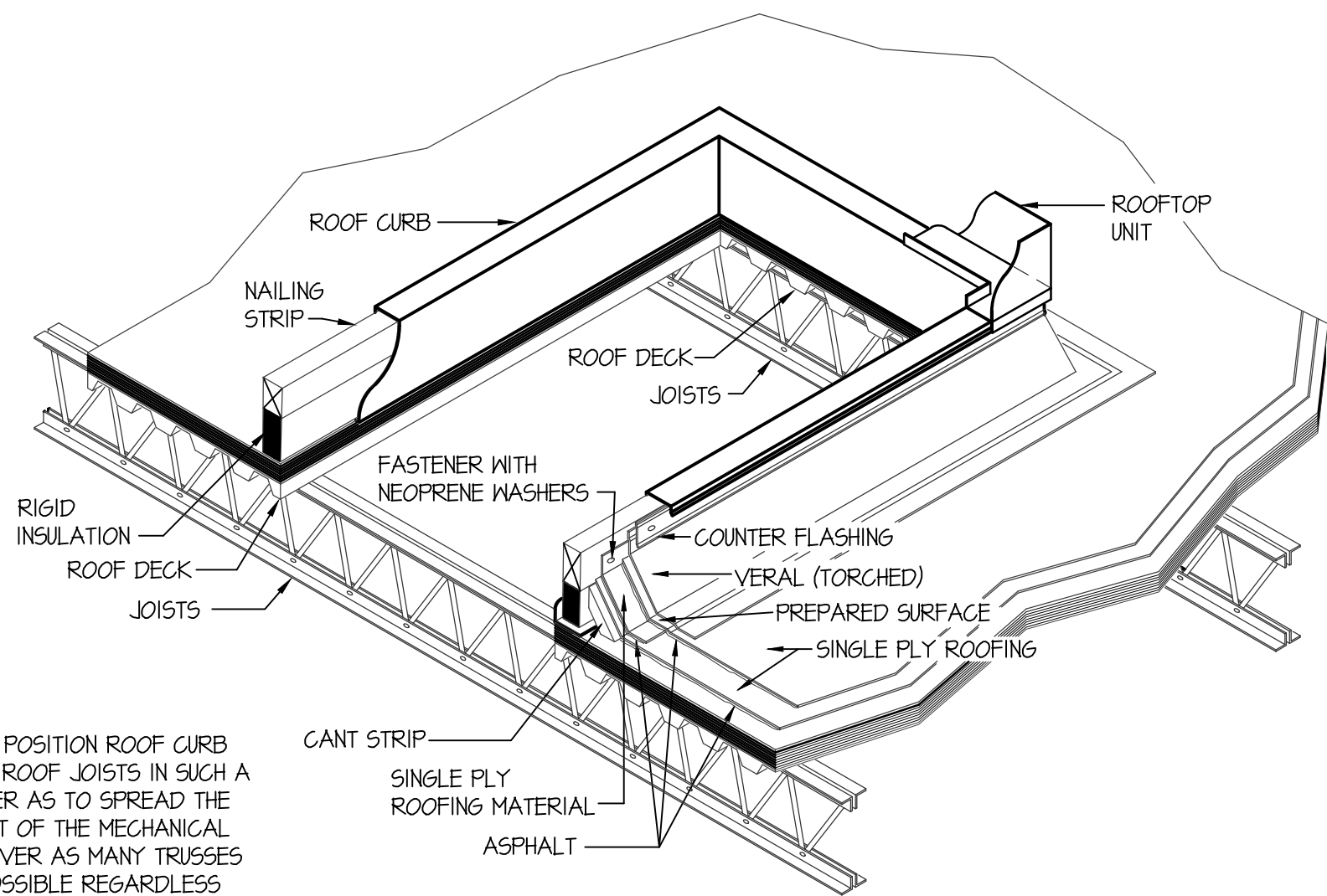
ROOF CAP EXHAUST DETAIL
NO SCALE



TRAP PRIMER DETAIL
NO SCALE



ROOF TOP GAS DETAIL
NO SCALE



NOTE: POSITION ROOF CURB OVER ROOF JOISTS IN SUCH A MANNER AS TO SPREAD THE WEIGHT OF THE MECHANICAL UNIT OVER AS MANY TRUSSES AS POSSIBLE REGARDLESS OF HOW TRUSSES ARE RUNNING

TYPICAL ROOFTOP MOUNTING DETAIL
NO SCALE

FIXTURE SCHEDULE					
SYM.	DESCRIPTION	HOT	COLD	WASTE	VENT
FD-1	2" FLOOR DRAIN - ZURN Z-415 WITH 5" NICKEL-BRONZE STRAINER AND 2" DEEP SEAL P-TRAP.	---	---	2"	2"
FD-2	2" FLOOR DRAIN - ZURN Z-415 WITH 5" NICKEL-BRONZE STRAINER, TRAP PRIMER, AND 2" DEEP SEAL P-TRAP.	---	---	2"	2"
RD-1	ROOF DRAIN - JAY R SMITH MODEL 1010 SIZE 3" WITH UNDERDECK CLAMP.	---	---	3"	---
OD-1	DECK OVERFLOW DRAIN - JAY R SMITH MODEL 1080 SIZE 3" WITH 2" HIGH WATER DAM AND UNDERDECK CLAMP.	---	---	3"	---
WF-1	WALL FLANGE - JAY R SMITH MODEL 1T10 SIZE 3" WITH ROUGH BRONZE FINISH AND 3" DRAIN LINE CONNECTION.	---	---	3"	---
HB-1	HOSE BIBB - ZURN MODEL Z1305 "ECOLOTRON" ENCASED NON-FREEZE, LENGTH TO SUIT WALL THICKNESS.	---	3/4"	---	---

GRILLE AND REGISTER SCHEDULE									
SYM.	TYPE	SIZE	CFM RANGE	THROW PATTERN	CONSTR.	FINISH	BALANCING DAMPER	FIRE DAMPER	REMARKS
RC-1	ROOF CAP	8"φ	200	NA	ALUM	---	NA	NA	TWIN CITY MODEL 61CM WITH INSECT SCREEN AND BACK-DRAFT DAMPER
RC-2	ROOF CAP	8"φ	200	NA	ALUM	---	NA	NA	TWIN CITY MODEL 634P WITH INSECT SCREEN AND BACK-DRAFT DAMPER

ROOF TOP UNIT																		
SYM.	CFM	OUTSIDE AIR REQUIRED	SP _e	BLOWER H.P.	CHAR	MCA	WEIGHT	GAS CONN	GAS HEATING (1 STAGE)				COOLING			DUCT SIZE		REMARKS
									BTU IN	BTU OUT	EAT	LAT	MBH	EAT	LAT	SUPPLY	RETURN	
RT 1	1,140	120	1.0"	.5	208/160/3	17	600LB	1/2"	65,000	52,000	65°F	98°F	37	45°F	63°F	18x18"	18x18"	LENNOX KGB03654D, SEER 14, DOWNWARD DISCHARGE, WITH ECONOMIZER & POWER EXHAUST, WITH INTEGRAL DISCONNECT AND CONVENIENCE OUTLET
RT 2	1,445	200	1.0"	2.0	208/160/3	30	750LB	1/2"	65,000	52,000	65°F	98°F	57	45°F	63°F	18x18"	18x18"	LENNOX KGB06054B, SEER 14, DOWNWARD DISCHARGE, WITH ECONOMIZER & POWER EXHAUST, WITH INTEGRAL DISCONNECT AND CONVENIENCE OUTLET
RT 3	1,445	200	1.0"	2.0	208/160/3	30	750LB	1/2"	65,000	52,000	65°F	98°F	57	45°F	63°F	18x18"	18x18"	LENNOX KGB06054B, SEER 14, DOWNWARD DISCHARGE, WITH ECONOMIZER & POWER EXHAUST, WITH INTEGRAL DISCONNECT AND CONVENIENCE OUTLET
RT 4	840	100	1.0"	.25	208/160/1	16	550LB	1/2"	65,000	52,000	65°F	98°F	25	45°F	63°F	14x14"	14x14"	LENNOX KGB02454D, SEER 14, SIDE DISCHARGE DISCHARGE, WITH INTEGRAL DISCONNECT AND CONVENIENCE OUTLET

REGISTERED PROFESSIONAL ENGINEER
No. 322307
DWAYNE C. SUDWEEKS
STATE OF UTAH

Engineered Systems Associates
1355 EAST CENTER
POCATELLO, IDAHO 83201
PHONE: (208) 233-0501
FAX: (208) 233-0529
EMAIL: esa@engsystems.com
ESA JOB NUMBER: 19010



SEAL:

REV.	DATE	DESCRIPTION

PROJECT: **New Building Shell For: KIER MANAGEMENT BUILDING**
1012 CHAMBERS STREET,
SOUTH OGDEN, UTAH 84403

MOUNTAIN WEST ARCHITECTS | 543 25TH STREET - OGDEN, UT 84401 | PH: 801-388-6052 | WWW.MOUNTAINWESTARCHITECTS.COM

SHEET TITLE: **MECHANICAL & PLUMBING PLAN**

PROJECT: CM-078-KIER-MANAGEMENT

SHEET NUMBER: **MP201**

DO NOT SCALE DRAWING